

NOV012

MECHANICAL DRAWBRIDGE DOCK
LEVELLER – FIXED OR LATERALLY SLIDING

Product characteristics

- simple user friendly operation
- Loading bay installation
- 60 kN dynamic load capacity
- complies with EN 1398
- lip with aluminium segments

NOV012

Mechanical Drawbridge dock levellers are used on external and internal loading bays. They are suitable for small variances in height differences between the vehicle bed by using an operating rod. When not in use, it is securely vertical attached to the Loading Bay. The leveller will be mounted at the ramp or in an optional rail profile as a moveable version.

Structure

The NOV012 consists of the following units:

- platform on the front side of which a lip of aluminium segments is located
- a compression spring unit for compensation of the bridge weight
- an operating rod (from 2000 mm x 2000 mm with two operating rods)

Material

The dock leveller is made of steel profiles and metal sheets. The beam-reinforced platform and the hinged lip have an anti-slip surface made of tear plates.

Surface

All steel construction parts are in hot-dip galvanized as standard.

Operation

The NOV012 is controlled via the operating rod included as standard. The compression spring unit compensates the forces and counter-balances the weight of the bridge thus making operation easier.

Technical data

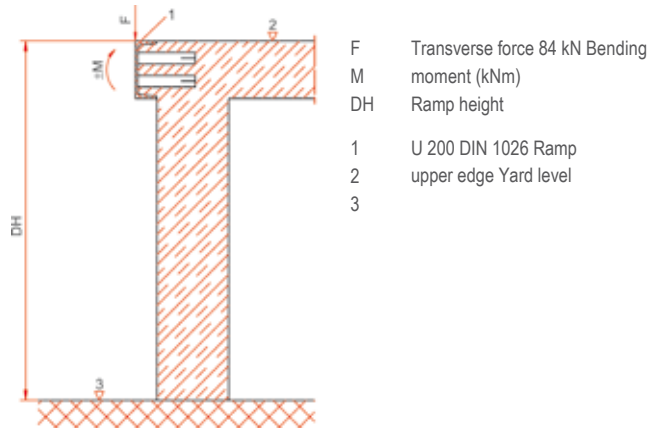
Nominal load according to EN 1398 60 kN
 Nominal widths 1500, 1750, 2000 mm

Nominal lengths (mm)	Operational range (mm)			
	aluminium lip		steel lip	
	above dock	below dock	above dock	below dock
1500	225	295	210	270
1750	265	340	250	320
2000	310	390	290	370

With the optional lip out of steel, the deck length is 110 mm shorter. The maximum incline permissible according to EN 1398 is 12.5 %.

Construction characteristics platform material thickness 4/6 mm
 lip aluminium segments

Work needed in preparation for the installation

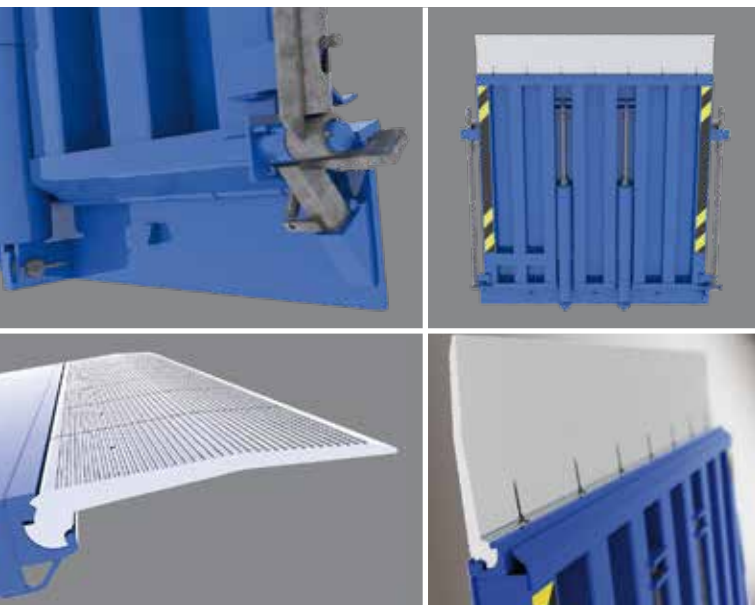


- F Transverse force 84 kN
- M Bending moment (kNm)
- DH Ramp height
- 1 U 200 DIN 1026 Ramp
- 2 upper edge Yard level
- 3

NL (mm)	max. bending moment M at the ramp upper edge (in kNm)		
	NW 1500	NW 1750	NW 2000
1500	8,3	9	10,1
1750	11,4	12,3	13,6
2000	14	16	17

Options/Accessories

- various profile designs for the holding of NOV012
- steel lip



01529 572274 | sales@nova-ind.co.uk | www.nova-ind.co.uk



**NOVA
INDUSTRIAL
SERVICES LTD.**